

V-MOVE 1200



V-MOVE 1200 & 1200L

Compact and agile

This compact electric tow tractor is perfect for a variety of applications. In many industries, this stand-on model is used as a distribution tug, auction tug or order picker. Its low step and modest dimensions make the V-move 1200 easy to use even in tight spaces. If required, we can lower the step even further.

Flexible and reliable

The V-move 1200 comes standard with a low-maintenance battery and an external battery charger. It can also be custom fitted with an internal charger, depending on your needs. Either way, you'll benefit from improved convenience, less noise and zero emissions. And with a towing capacity of 2,000 kg, it's more powerful than you might expect.

Maximum performance, minimal effort

For a reliable electric tow tractor that makes your daily work easier, boosts efficiency and streamlines your processes, look no further than our V-move 1200. Ideal for a wide range of working environments and impressively economical, it delivers maximum performance with minimal effort.

Developed and manufactured in Leiden

Developed and manufactured entirely in-house at Verhagen Leiden, our V-move 1200 delivers top-notch Dutch quality you can depend on. Are you ready to embrace the power without the noise?





The V-move 1200 is fully developed and produced by V-move in the Netherlands.



V-MOVE 1200 / Couplings



MMON03475

Pin coupling, Sulo tow hook,
20 mm (≈ 0.79 in)



VLKA00047

VBA connection, heavy, V-move 1200



VLKA06186

Automatic double Danish trolley
coupling



VLKA07158

Automatic VBA coupling



VLKA08727

Automatic double Danish trolley
coupling with VBA hook



VLKA09353

Industrial spring-mounted hook
coupling with 25 mm pin (≈ 0.98 in)

V-MOVE 1200L / Couplings



MMON03475

Pin coupling, Sulo tow hook,
20 mm (≈ 0.79 in)



SOON07520

Automatic VBA coupling



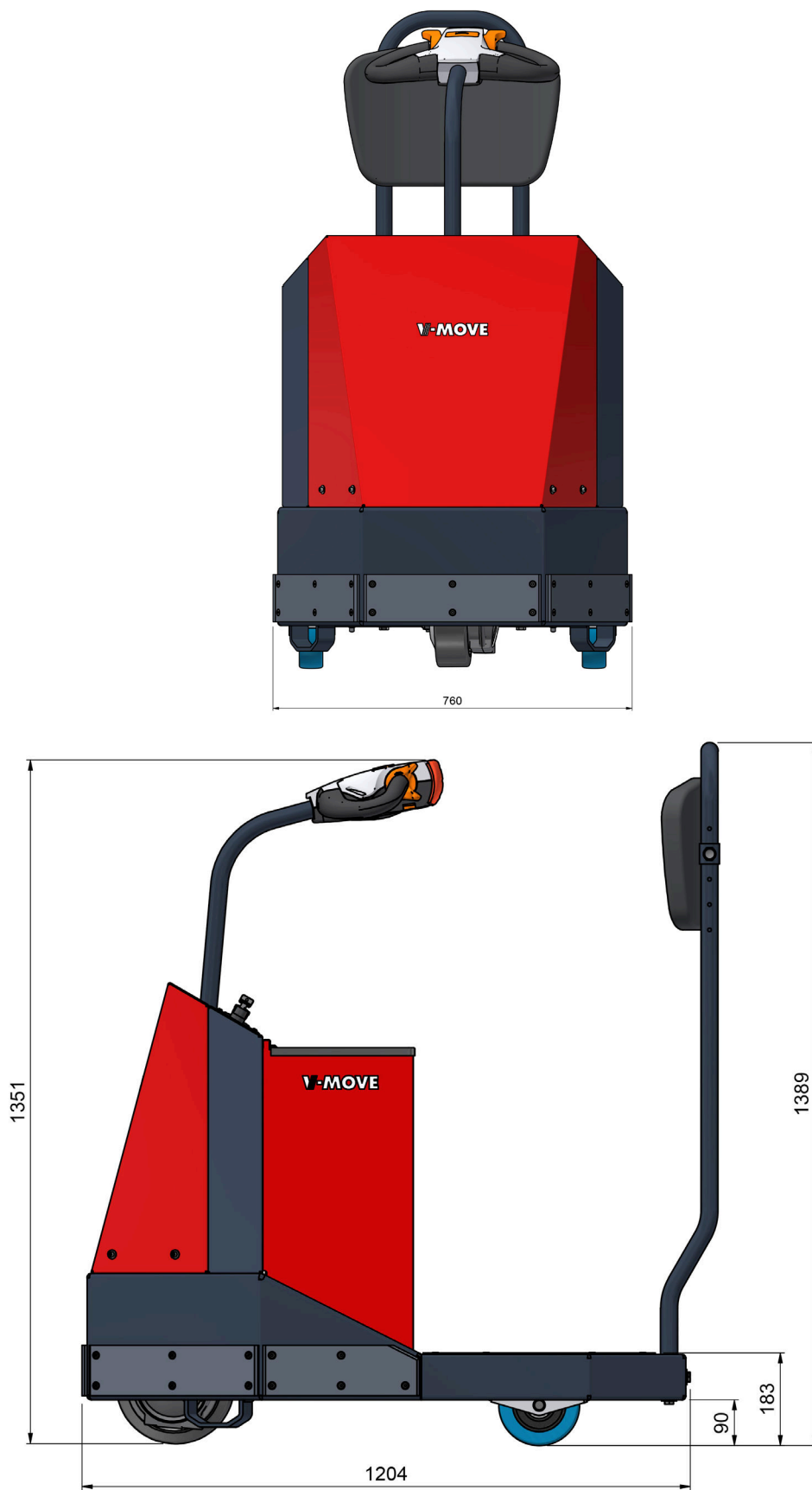
VLKA09353

Industrial spring-mounted hook
coupling with 25 mm pin (≈ 0.98 in)

V-MOVE 1200 & 1200L / Technical Specifications

	1200	1200L
Towing capacity	2,000 kg (≈ 4,409 lbs)	
Voltage	24 V 2,650 W	
Motor	2,650 W AC	
Slope percentage	12 %	
Brake system	Electromagnetic	
Forward speed	0–14 km/h , stepless (≈ 0–8.7 mph)	
Reverse speed	0–6 km/h , stepless (≈ 0–3.7 mph)	
Tyres	Solid	
Battery indicator	Yes	
Horn	Yes	
Battery charger	External 24 V 50 A	
Battery pack	24 V 375 Ah, central filling system	
Dimensions L×W×H	1,259 × 760 × 1,389 mm	1,285 × 760 × 1,310 mm
Machine weight including battery	490 kg (≈ 1,080 lbs)	
Parking brake	Yes	
Optional version	x	
Maximum weight on vehicle	500 kg (≈ 1,102 lbs)	
Drive system	Vertical drive unit (ZF gearbox)	
Steering	Manually	
Lifting capacity	x	

V-MOVE 1200 / Dimensions (mm)



V-MOVE 1200L / Dimensions (mm)

